

# DBV™ -10/20

## DOLLAR BILL VALIDATOR



The **DBV-10/20** bill acceptor's simple design provides the highest security available. Two choices for your needs - the **DBV-10** accepts \$1 only and the **DBV-20** accepts \$1, \$2 and \$5.

### JCM Technology Delivers the Highest Performance and Security to Worldwide Markets

U.S. or Australian Currency

Price Competitive and Cost Effective

Anti-Pullback Cheat Device

LED Indicators

Simple Design

Easy to Maintain and Install

Highest Acceptance of Street Grade Bills

Highest Security Available



SECURITY • TECHNOLOGY • SOLUTIONS

# DBV 10/20

## SPECIFICATIONS

### Power Requirements

95 VAC to 135 VAC w/Power Supply (50 to 60 Hertz) or 12V DC (Max. 9.4 VA)

### Configurations

DBV-10 Accepts \$1 only  
DBV-20 Accepts \$1 \$2 and \$5

### Shipping Weight

DBV-10/20 - 2.08 lb

### Accessories

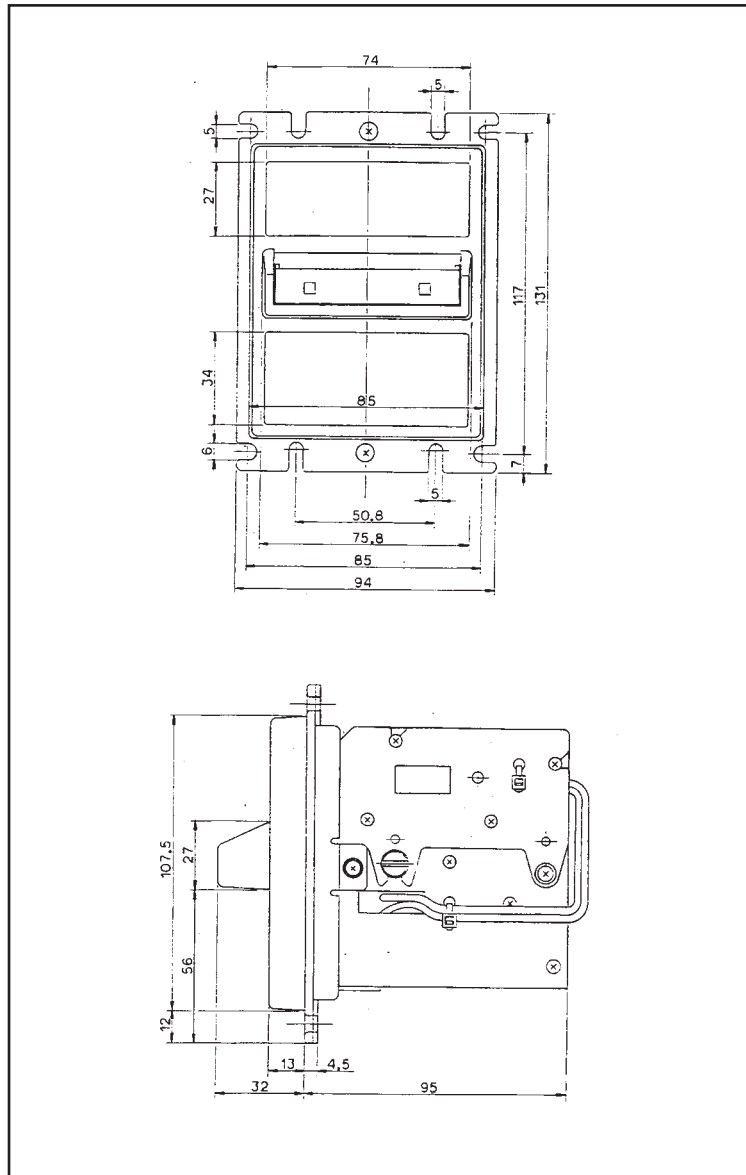
AC Power Harness (9 pin)  
DC Power Harness (6 pin)  
Power Supply  
Mounting Kit

### Software

Software upgrades are released for anti-theft, currency changes and security measures.  
JCM software is copyrighted to JCM American Corp.

### Technical Support

Training classes are available for all JCM products.



UL Approved