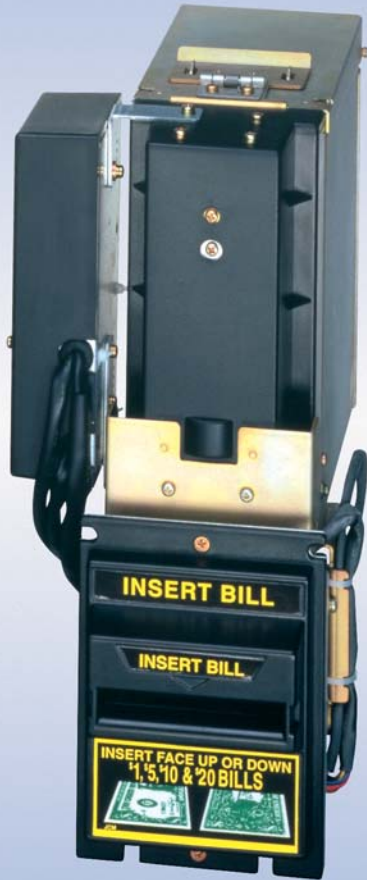


DBV™ 200-SU

DOLLAR BILL VALIDATOR



The **DBV-200-SU** bill validator stacks universally (either up or down). Comes with choice of 400, 600 or 1,000 note cash box capacity.

JCM Technology Delivers the Highest Performance and Security to Worldwide Markets

U.S. or Australian Currency

Universal Stacking Configurations

Custom Sensor Technology

Denominations Dip Switch Selectable

Choice of Interfaces Serial/Pulse or RS/232

Bar-Coded Coupon Reader Option

Highest Acceptance of Street Grade Bills

Choice of Magazine Sizes



SECURITY • TECHNOLOGY • SOLUTIONS

DBV™ 200-SU

SPECIFICATIONS

Power Requirements

95 VAC to 135 VAC w/Power Supply (50 to 60 Hertz) or 12V DC (Max. 9.4 VA)

Cash Box Capacity

400 Notes, 600 Notes and 1,000 Notes

Configurations

• Accepts \$1, \$5, \$10, \$20, \$50, \$100 and Bar-Coded Coupons

Shipping Weight

DBV-200-SU 400 - 5.37 lb
DBV-4200-SU 600 - 5.75 lb
DBV-200-SU 1,000 - 6.23 lb

Accessories

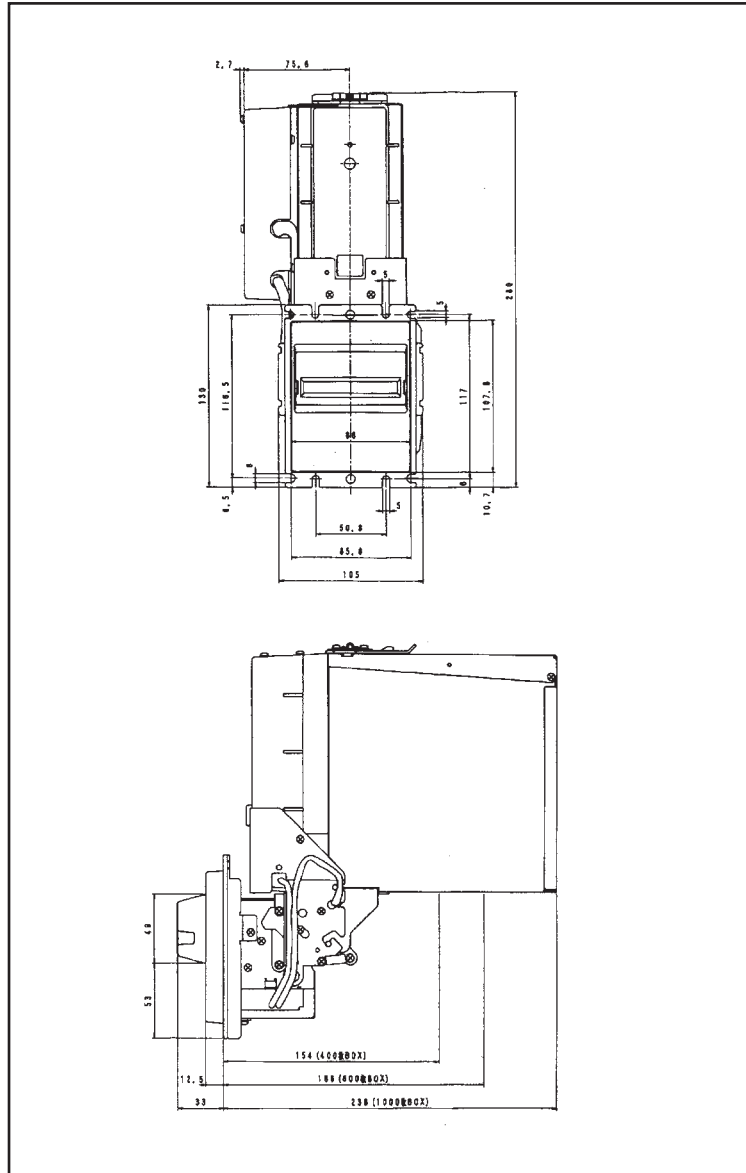
Pulse Connector (14 pin)
AC Power Harness (9 pin)
DC Power Harness (6 pin)
Serial Harness (14 pin)
Power Supply
Mounting Kit

Software

Software upgrades are released for anti-theft, currency changes and security measures. JCM software is copyrighted to JCM American Corp.

Technical Support

Training classes are available for all JCM products.



UL Approved

JCM and the JCM logo are registered trademarks of Japan Cash Machine Co., Ltd. and JCM American Corporation. All other marks are registered trademarks of their respective owners.

REV #: 05292002

JCM American Corporation
925 Pilot Road • Las Vegas, Nevada 89119
Tel: 702-651-0000 Fax: 702-644-5512 800.683.7248
e-mail: sales@jcm-american.com
www.jcm-american.com

JCM Germany GmbH
Muendelheimer Weg 60 • D-40472 Duesseldorf
Tel: +49-211-5306450 Fax: +49-211-53064565
e-mail: info@jcm-germany.com
www.jcm-germany.com

