

DBV™-30

BILL VALIDATOR HEAD



JCM Technology Delivers the Highest Performance and Security to Worldwide Markets

U.S. or Australian Currency

Price Competitive and Cost Effective

Anti-Pullback Cheat Device

LED Indicators

Socketed EPROM

Simple Design

Easy to Maintain and Install

Highest Acceptance of Street Grade Bills

Highest Security Available

The **DBV-30** stackerless bill acceptor accepts

\$1, \$5, \$10 and \$20 notes inserted face up.

The **DBV-30's** simple proven design provides

the highest security available.



SECURITY • TECHNOLOGY • SOLUTIONS

DBV™-30

SPECIFICATIONS

Power Requirements

95 VAC to 135 VAC w/Power Supply (50 to 60 Hertz) or 12V DC (Max. 9.4 VA)

Configurations

DBV-10 Stackerless, \$1 only
DBV-20 Stackerless, \$1 and \$5
DBV-30 Stackerless, \$1, \$5, \$10 and \$20

Shipping Weight

DBV-30 Head w/Packaging - 2.08 lb

Accessories

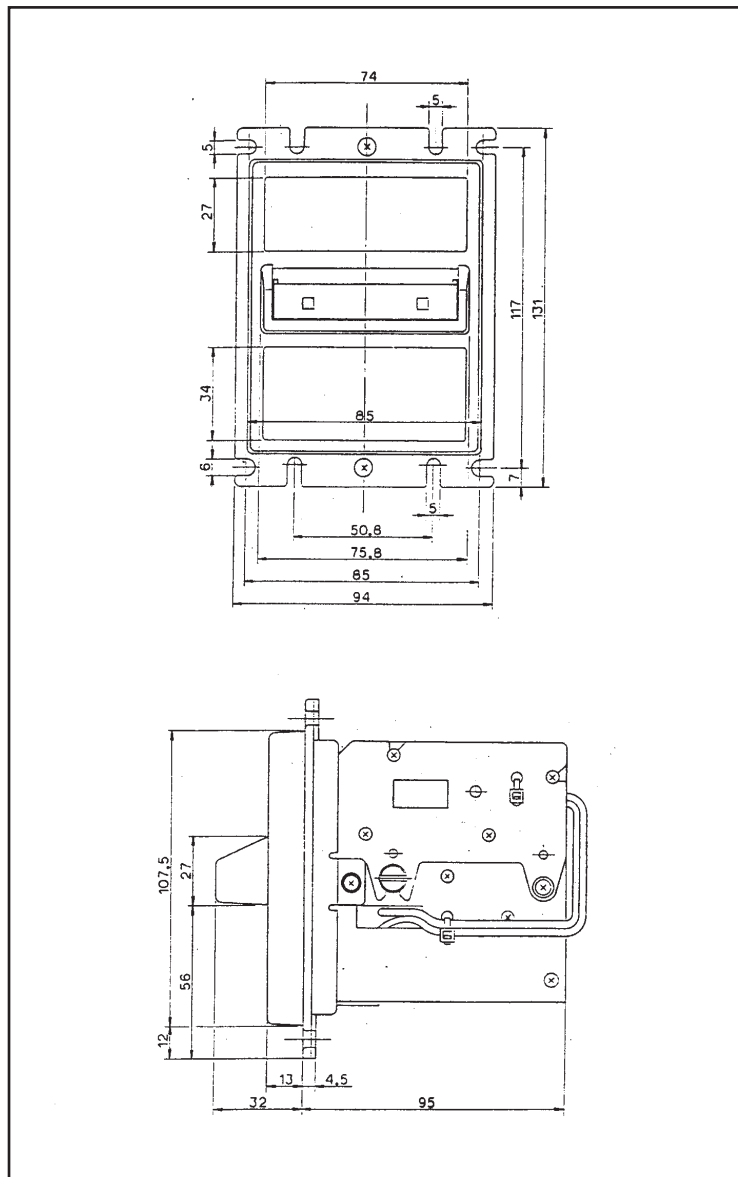
AC Power Harness (9 pin)
DC Power Harness (6 pin)
Power Supply
Mounting Kit

Software

Software upgrades are released for anti-theft, currency changes and security measures. JCM software is copyrighted to JCM American Corp.

Technical Support

Training classes are available for all JCM products.



UL Approved