

EBA™ -11/12/13

BILL VALIDATOR HEAD



The **EBA Head Series** international platform accepts currency with a width of 61mm to 78mm and a length of 130mm to 162mm, offering up to 1 MB of memory.

JCM Technology Delivers the Highest Performance and Security to Worldwide Markets

Custom Sensor Technology

Up to 1 MB Memory

Denomination Dip Switch Selectable

Socketed EPROM

Choice of Pulse, Parallel or Serial Interface

Highest Acceptance of Street Grade Bills

One Magazine Size

Removable Head and Transport



SECURITY • TECHNOLOGY • SOLUTIONS

EBA™ -11/12/13

SPECIFICATIONS

Power Requirements

220 V

Shipping Weight

EBA Head - 1.25 lb
With Packaging - 2 lb

EBA Models

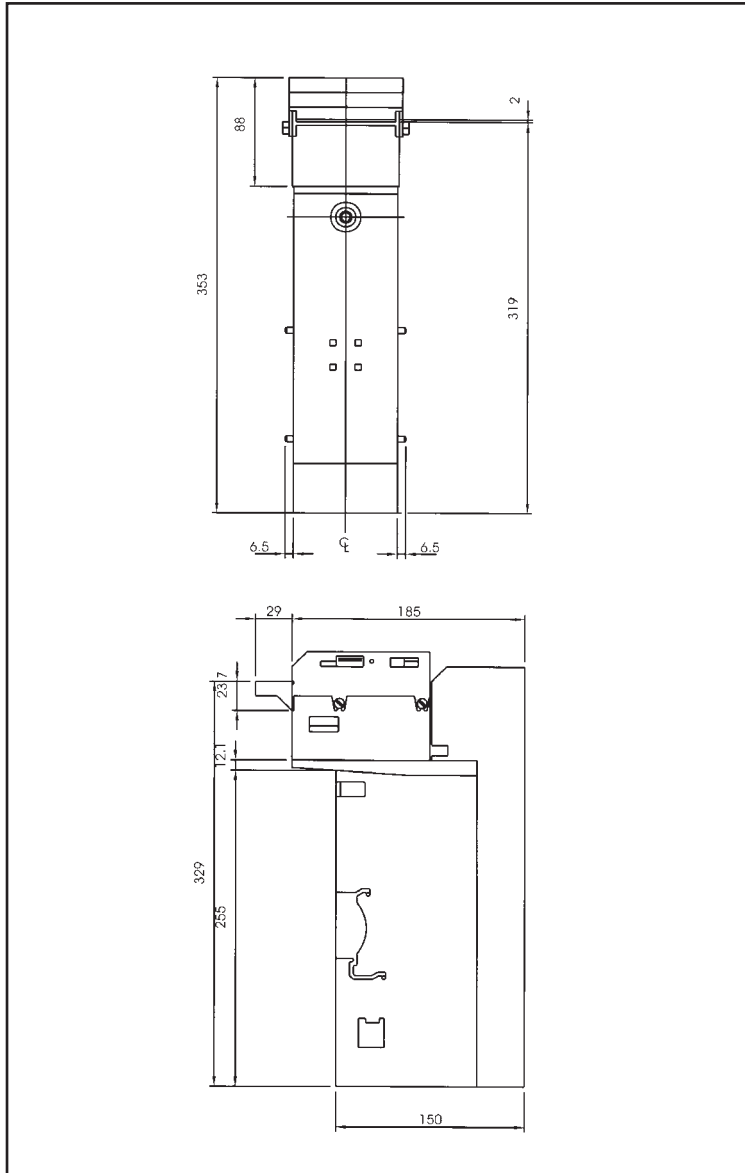
- EBA-10, 512 KB EPROM, Discontinued Model, Parts Support Only
- EBA-11, 1 MB EPROM, New CPU Board
- EPA-12, 1 MB EPROM, Specifically for England, Notes to 85mm wide
- EBA-12-PB2, 1 MB EPROM, Specifically for England, Notes to 85mm Wide, Anti-pullback Mechanism Attached
- EBA-13, Euro Currency

Software

Software upgrades are released for anti-theft, currency changes and security measures. JCM software is copyrighted to JCM American Corp.

Technical Support

Training classes are available for all JCM products.



CE Approved