

WBA™ -SS

WORLD BILL ACCEPTOR



The **WBA-SS** is a vertical down-stacker version of JCM's World Bill Acceptor, the most secure and reliable bill validator available.

JCM Technology Delivers the Highest Performance and Security to Worldwide Markets

- U.S. & International Currency Acceptance
- Front Access, Lockable, Removable Cash Box
- Modular Design and Construction
- Flash Memory Downloadable or Socketed EPROM
- Custom Sensing Technology
- Optional RS/232 and TTL Levels
- 1 or 2 Serial Ports
- 1-Megabit and 4-Megabit Memory
- Highest Acceptance of Street Grade Bills
- Custom Protocol Available



SECURITY • TECHNOLOGY • SOLUTIONS

WBA™ -SS

SPECIFICATIONS

Power Requirements

11.5 VDC to 13.5 VDC, 20 Watts

Cash Box Capacity

600 Notes - Optional 1,000 Note Cash Box

Shipping Weight

WBA-SS w/Two Cash Boxes - 14.8 lb

Currency Accepted

63 to 81 mm

Configurations

- WBA-10/11/20/21 = 1 Mb Memory
- WBA-12/13/22/23 = 4 Mb Memory
- WBA-10/11/12/13 = Magnetic Currency
- WBA-20/21/22/23 = Non-Magnetic Currency
- WBA-10/12/20/22 = Flash Programmable
- WBA-11/13/21/23 = EPROM Based

Accessories

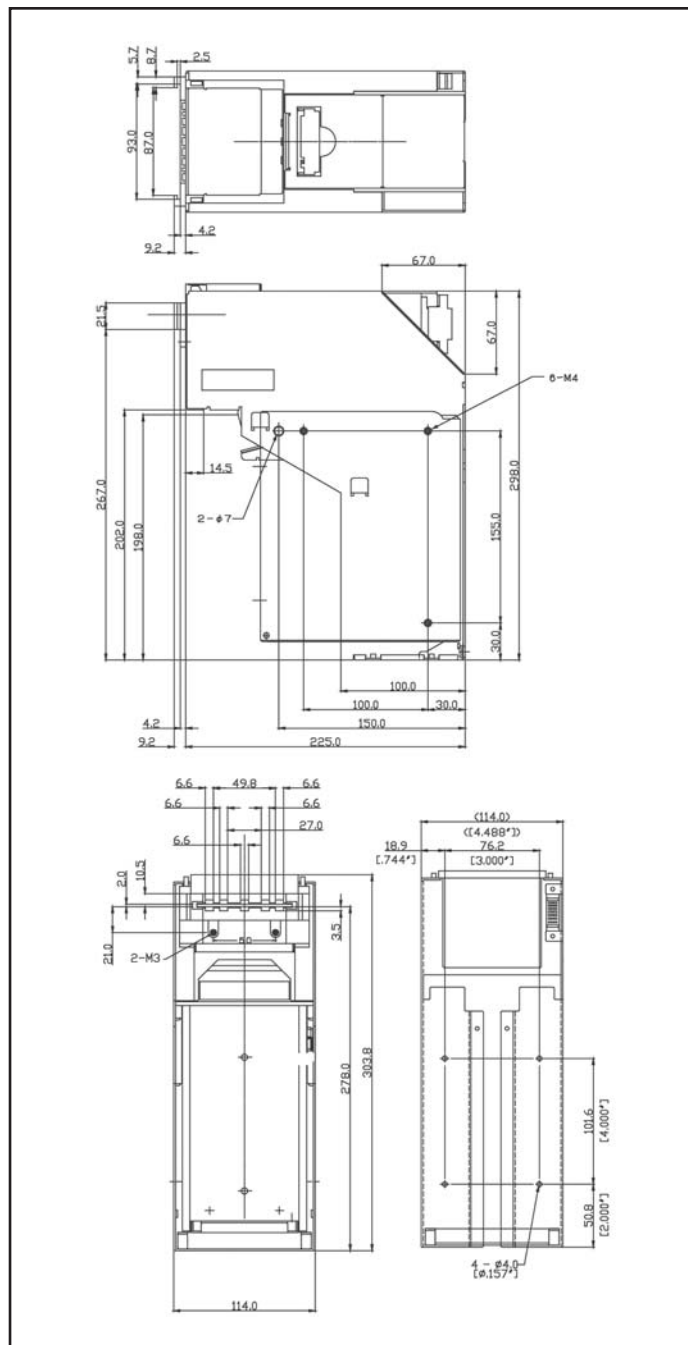
- Face Plate
- Insert Guides
- Interface Harness
- Power Supply

Software

Software upgrades are released for anti-theft, currency changes and security measures. JCM software is copyrighted to JCM American Corp.

Technical Support

Training classes are available for all JCM products.



UL and CSA Approved

JCM and the JCM logo are registered trademarks of Japan Cash Machine Co., Ltd. and JCM American Corporation. All other marks are registered trademarks of their respective owners.

REV #: 05292002

JCM American Corporation
925 Pilot Road • Las Vegas, Nevada 89119
Tel: 702-651-0000 Fax: 702-644-5512 800.683.7248
e-mail: sales@jcm-american.com
www.jcm-american.com

JCM Germany GmbH
Muendelheimer Weg 60 • D-40472 Duesseldorf
Tel: +49-211-5306450 Fax: +49-211-53064565
e-mail: info@jcm-germany.com
www.jcm-germany.com

