

WBA™ -UH

WORLD BILL ACCEPTOR



The **WBA-UH** is a horizontal up-stacker version of JCM's World Bill Acceptor, the most secure and reliable bill validator available.

JCM Technology Delivers the Highest Performance and Security to Worldwide Markets

U.S. & International Currency Acceptance

1-Megabit and 4-Megabit Memory

Front Access, Lockable, Removable Cash Box

Modular Design and Construction

Flash Memory Downloadable or Socketed EPROM

Custom Sensing Technology

1 or 2 Serial Ports

Optional RS/232 or TTL Levels

Bar-Coded Coupon Reader

Highest Acceptance of Street Grade Bills

Custom Protocol Available



SECURITY • TECHNOLOGY • SOLUTIONS

WBA™ -UH

SPECIFICATIONS

Power Requirements

11.5 VDC to 13.5 VDC, 20 Watts

Cash Box Capacity

400 Notes

Shipping Weight

WBA-UH w/One Cash Box - 5.5 kg / 12.1 lb

Currency Accepted

63 to 81 mm

Configurations

- WBA-10/11/20/21 = 1 Mb Memory
- WBA-12/13/22/23 = 4 Mb Memory
- WBA-10/11/12/13 = Magnetic Currency
- WBA-20/21/22/23 = Non-Magnetic Currency
- WBA-10/12/20/22 = Flash Programmable
- WBA-11/13/21/23 = EPROM Based

Accessories

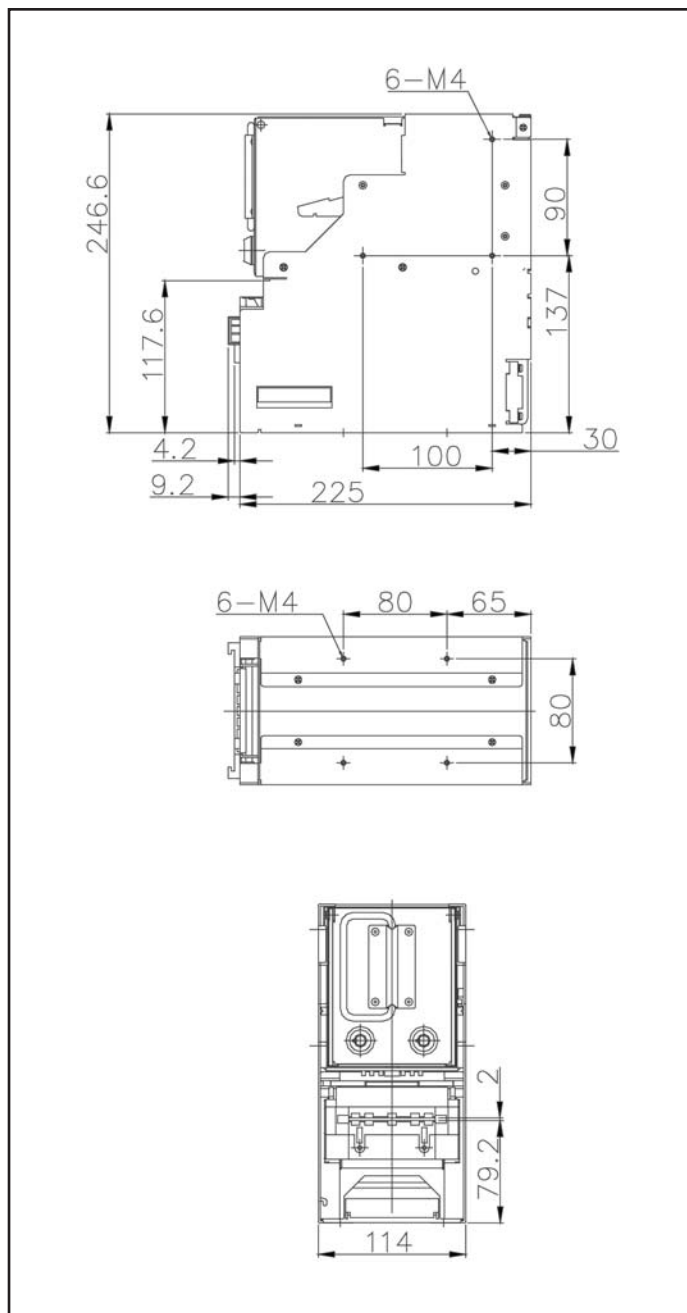
- Cashbox Handle
- Face Plate
- Insert Guides
- Interface Harness
- Power Supply

Software

Software upgrades are released for anti-theft, currency changes and security measures. JCM software is copyrighted to JCM American Corp.

Technical Support

Training classes are available for all JCM products.



UL and CSA Approved

JCM and the JCM logo are registered trademarks of Japan Cash Machine Co., Ltd. and JCM American Corporation. All other marks are registered trademarks of their respective owners.

REV #: 05292002

JCM American Corporation
925 Pilot Road • Las Vegas, Nevada 89119
Tel: 702-651-0000 Fax: 702-644-5512 **800.683.7248**
e-mail: sales@jcm-american.com
www.jcm-american.com

JCM Germany GmbH
Muendelheimer Weg 60 • D-40472 Duesseldorf
Tel: +49-211-5306450 Fax: +49-211-53064565
e-mail: info@jcm-germany.com
www.jcm-germany.com

